

**MILLER®**

# Cablematic UDT Drop Trimmer

## Instruction Sheet

The proper use of this cable preparation tool will result in an error free preparation of the drop cable end. In one step, both the center conductor and braid exposure lengths are prepared to the SCTE and Bellcore specifications.

Through the use of interchangeable blade cassettes, the UNIVERSAL DROP TRIMMER (UDT) will perform industry specified preparations of 1/4" braid exposure on all 59, 6, 7 and 11 Series Drop Cable. The center conductor is trimmed to a 1/4" length on all cables. Blade cassettes are color coded and marked for easy identification of the cable size and braid exposure length. Two spare cassettes are stored in a unique storage compartment in the tool handle. The 59/6 blade cassettes are for use with all 59 or 6 Series Drop Cable constructions and the 7 blade cassettes are for use on any 7 Series Drop Cable construction.

Due to the variations of 11 Series Drop Cable currently used in the CATV industry, there are two different 11 blade cassettes. This feature allows the user a choice of cassettes best suited for their particular cable. The 11Q blade cassette is designed for .032 nominal jacket thickness and is specifically for current Belden, CommScope and Times Fiber Communications 11 Quad Series construction. The 11 blade cassette is designed for .040 nominal jacket thickness and is specifically for all current standard, Tri and Trilogy Quad Shield cables.



**WARNING:** This tool should not be used on live electrical circuits. It is not protected against electrical shock.

Always use OSHA/ANSI/CE or other industry approved eye protection when using tools. This tool is not to be used for purposes other than intended. Read carefully and understand instructions before using this tool.

**WARRANTY:** RIPLEY warrants its products against defective materials and workmanship for a period of one year from date of shipment from the RIPLEY factory provided the product is utilized in accordance with instructions and specified ratings.

For more information or to locate your nearest authorized Ripley® distributor, visit [www.ripley-tools.com](http://www.ripley-tools.com) or call **1 (800) 528-8665** to speak with a customer service representative.



A proud member of the Hubbell family.



## Tool use

1. Cut the Drop Cable squarely with a side/diagonal wire cutter. Squeeze the cable end to reform it to a round diameter. If the tool is to be used on Messengered or Siamese cable, then the rib must be removed flush with the outside diameter of the cable for approximately 1”.

### Refer to Figure 1

2. Hold the UDT with the appropriate blade cassette facing you in your right hand and open the tool by depressing the handle mechanism (A) using your thumb. This will cause the jaws to open.
3. Using your left hand, insert the cable into the notched opening until it contacts the strip stop. Close the tool by releasing the handle. The cable will now be correctly positioned in the tool.
4. While continuing to hold the cable as close to the tool as possible with your left hand, slowly rotate the tool in a forward direction around the cable. This may be simplified by using the large ring opening provided at the tool end. Continue rotating for approximately 3-5 revolutions. The cable preparation is complete when you can no longer hear any braid and shielding being cut and/or the tool spins freely on the cable. The 59, 6 and 7 Series Drop Cables will not require as many revolutions as the 11 Series Drop Cables. It may be necessary to modify these directions depending upon the exact cable configurations you may be using. In the case of preparing a 7 or 11 series “Quad Shield” cable, it may be necessary to grip the tool jaws and gently squeeze them to help cut through the cable jacket and shielding.

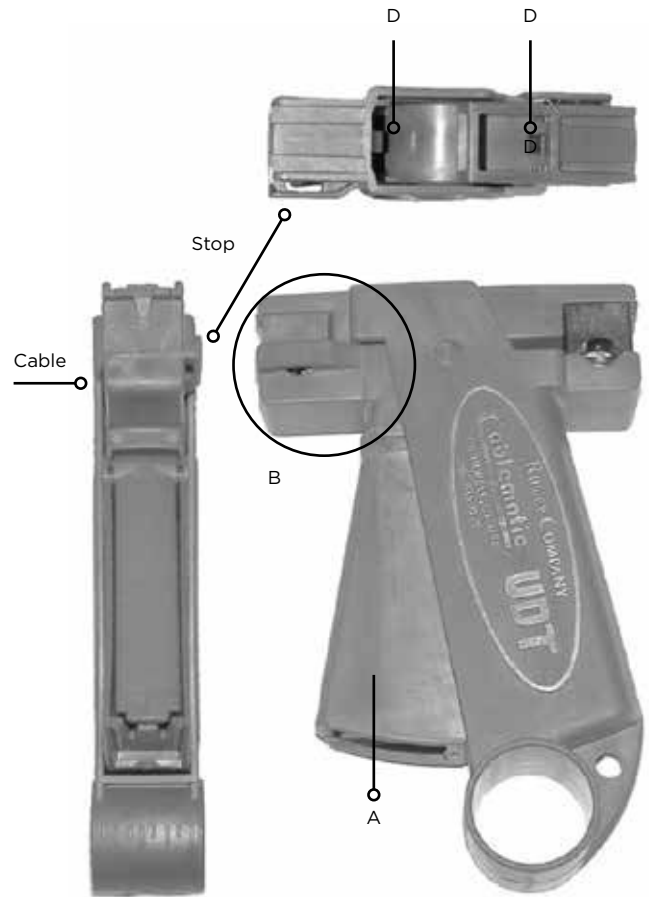


Figure 1

5. With your right hand, firmly grasp the blade cassette area of the tool and pull the tool away from the cable end (B).
6. Open the tool to remove the jacket and dielectric waste material and properly discard.
7. Check the trimmed cable end to ensure that the braid, dielectric and jacket are cut cleanly and that the center conductor is clean.
8. Refer to the connector manufacturer’s direction for the proper connector installation procedure.

For more information or to locate your nearest authorized Ripley® distributor, visit [www.ripley-tools.com](http://www.ripley-tools.com) or call **1 (800) 528-8665** to speak with a customer service representative.



A proud member of the Hubbell family.



### Blade Cassette Replacement

• In time, the blade that cuts through the braid and shielding will become dull and result in an “unacceptable” trimmed cable end. This will be apparent when you need to trim any long strands of braid. The UDT cassettes are easily replaced. Blade cassettes are stored in the moveable handle compartment. They can be accessed by opening the “compartment door” (Figure 2-C) and removing the appropriate blade cassette. The dull blade cassette can now be removed from the tool by pushing the tab (D) with your finger allowing the blade cassette to slide out. Insert the replacement blade cassette into the tool body and allow it to “snap” into position. This would be a good time to order replacement blade cassettes for the tool storage compartment. Care must be exercised in handling due to the sharpness of the blades in the cassettes.

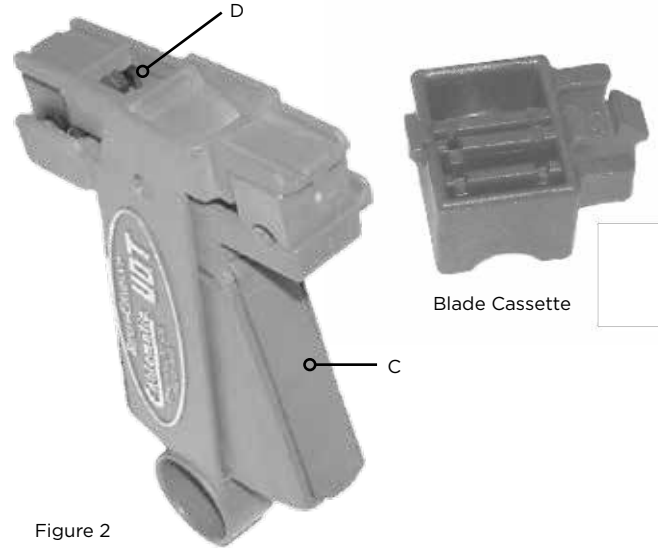


Figure 2

### Tool Ordering Information

For .250 (1/4”) [6.4 mm] Cable Preparation

MODEL	DROP CABLE SERIES	BLADE CASSETTES ASSEMBLED IN TOOL		TWO EXTRA BLADE IN STORAGE COMPARTMENT	
UDT711-250	7, 11, 11Q*	RC7-250	RC11-250	RC7-250	RC11Q-250
UDT59611-250	59, 6, 11, 11Q*	RC596-250	RC11-250	RC596-250	RC11Q-250
UDT596711-250	59, 6, 7, 11, 11Q*	RC596-250	RC11-250	RC7-250	RC11Q-250
UDT-UK	59, 6, 7, 11	RC596-250	RC11-250	RC596-250	RC7-250
UDT-PPC-UK	59, 6, 7, 11	RC596-250	RC11-250	RC596-250	RC7-250
UDT-EUR11-250	6, N48, Coax 9, 11	RC-EUR-250	RC11-250	RC-EUR-250	RC11-250

### Replacement Blade Cassettes for UDT (2 cassettes per package)

.250 (1/4”) [6.4 mm] Cable Preparation

REPLACEMENT CASSETTES	COLOR	CABLE
RC11-250	Black	11
RC11Q-250	Gray	11Q*
RC7-250	Green	7
RC5696-250	Red	59, 6
RC-EUR-250	Orange	6, N48, Coax 9

\* 11Q blade cassette is specifically for current Belden, CommScope and Times Fiber Communication 11 Quad Series cable construction.

For more information or to locate your nearest authorized Ripley® distributor, visit [www.ripley-tools.com](http://www.ripley-tools.com) or call **1 (800) 528-8665** to speak with a customer service representative.



A proud member of the Hubbell family.